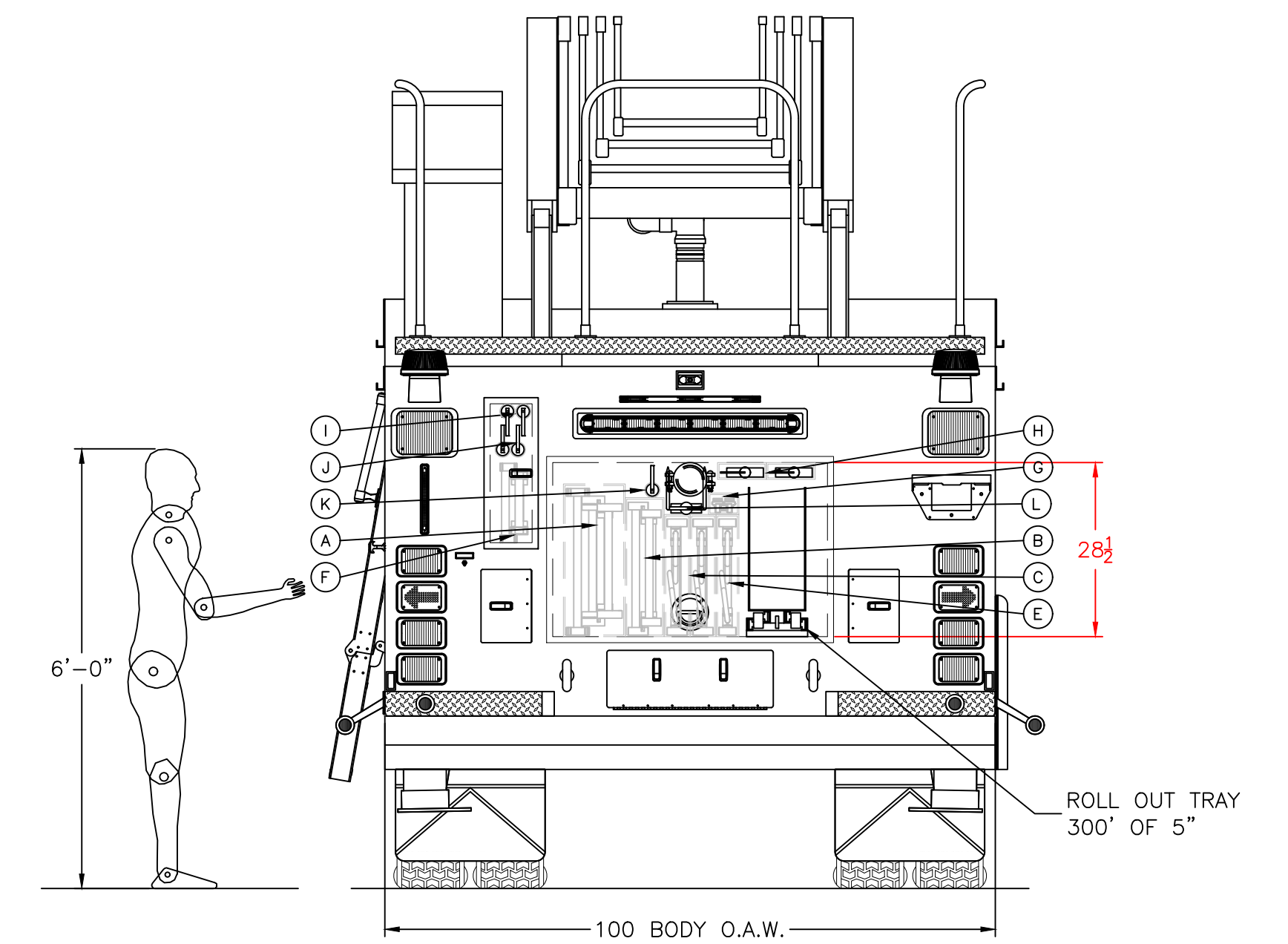
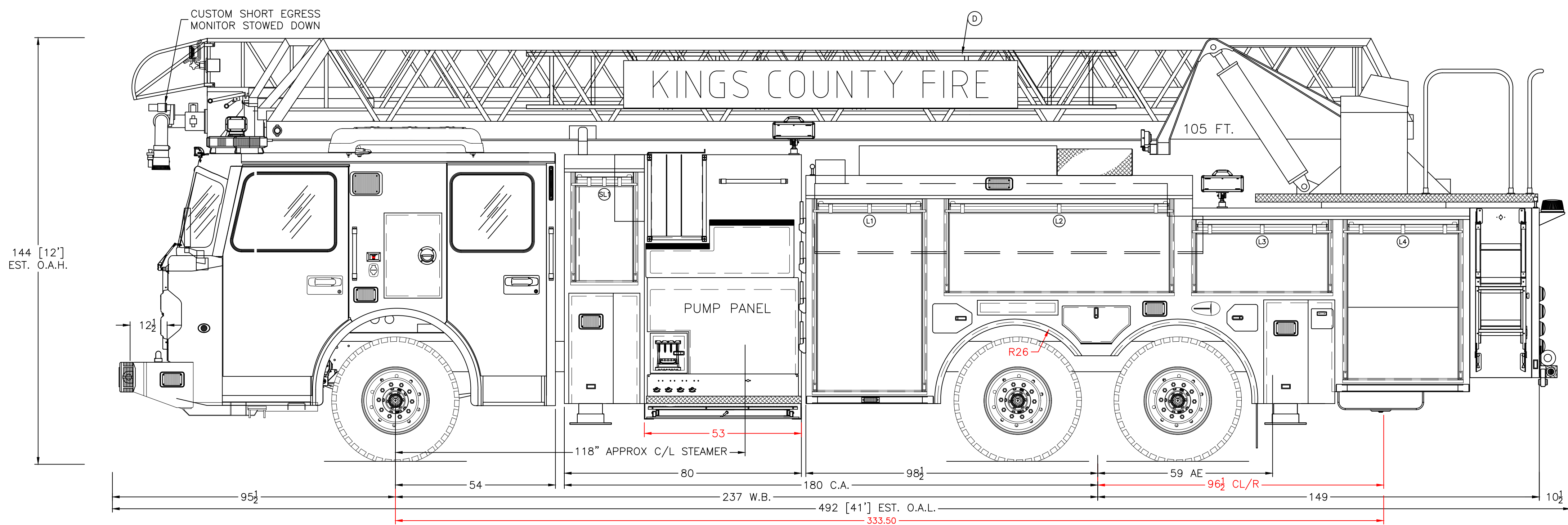


COMPT.	DOOR OPENING	COMPARTMENT DIMENSIONS			
		INTERIOR	DIVIDE HEIGHT	UPPER DEPTH	LOWER
L1	35"W x 59"H	40.5"W x 72.5"H	-	23"	23"
L2	74"W x 26"H	90"W x 39"H	-	23"	23"
L3	44"W x 19"H	47"W x 28"H	-	16"	16"
L4	37"W x 48"H	46.5"W x 57.5"H	24"	16"	23"
R1	35"W x 59"H	40.5"W x 72.5"H	-	23"	23"
R2	74"W x 26"H	90"W x 39"H	-	23"	23"
R3	44"W x 19"H	47"W x 28"H	-	23"	23"
R4	27"W x 48"H	39"W x 57.5"H	-	23"	23"
R5	23"W x 44"H	26"W x 53.5"H	-	23"	23"
SL1	19"W x 31"H	24.5"W x 35.5"H	-	TRANS	TRANS
SR1	19"W x 31"H	24.5"W x 35.5"H	-	TRANS	TRANS

- SHOP INSTRUCTIONS**
- FOAM SYSTEM: FOAMPRO 1600
 - FOAM CAPABLE DISCHARGES:
 - 2-1/2 OFFICER SIDE DISCHARGE
 - 1-1/2 FRONT BUMPER DISCHARGE
 - 2-1/2 CROSSSLAY
 - 1-1/2 CROSSSLAY
 - BOOSTER REEL
 - COMPARTMENT FINISH: LINE-X GRAY
 - SHELVES/TRAYS FINISH: ABRATED
 - INNOVATIVE CONTROLS DRAINS

ITEM	DESCRIPTION	MODEL #	QTY
A	35' 3 SEC EXTENSION	1225-A	1
B	24' 2 SEC EXTENSION	900-A	1
C	16' ROOF	875-A	2
D	16' ROOF (AERIAL BASE)	875-DR	1
E	14' ROOF	775-A	1
F	10' FRESNO ATTIC	701	1
G	10' FOLDING ATTIC	585-A	1
H	4' D-HANDLE PIKE POLE	NHF-4 W/D	2
I	6' PIKE POLE	NHF-6	2
J	8' PIKE POLE	NHF-8	2
K	12' PIKE POLE	NHF-12	1
L	8' RUBBISH HOOK	TRH-8	1



NOTE:
 THIS DRAWING IS THE PROPERTY OF SPARTAN FIRE, LLC AND IS TO BE USED ONLY IN REFERENCE TO THE WORK PROPOSED OR CONTRACTED BY SPARTAN FIRE, LLC ANY REPRODUCTION IN PART OR IN WHOLE WITHOUT THE WRITTEN PERMISSION OF SPARTAN FIRE, LLC IS STRICTLY PROHIBITED.
 DIMENSIONS SHOWN ARE APPROXIMATE AND ARE SUBJECT TO CHANGE AS MAY BE FOUND NECESSARY DURING CONSTRUCTION. THIS DRAWING MUST BE PLOTTED TO THE PAPER SIZE LISTED IN THE TITLE BLOCK FOR THE LISTED SCALE TO BE VALID.
 THIS DRAWING IS FOR REFERENCE PURPOSES ONLY. SOME ITEMS MAY OR MAY NOT APPEAR ON THE DRAWING THAT MAY OR MAY NOT BE INCLUDED IN THE SPECIFICATIONS. THE SPECIFICATIONS SHALL BE THE FINAL AUTHORITY TO DETERMINE WHAT IS SUPPLIED ON THE APPARATUS.

REV	INT.	DATE	REVISION HISTORY DESCRIPTION

**SHOP PRINT
 PRE-CONSTRUCTION**

CHASSIS: SPARTAN GLADIATOR MFD FLAT ROOF
 ENGINE: CUMMINS X15 565HP WITH ALLISON 4000 EVS
 PUMP: WATERIOUS CSUC20 2000 GPM RATED AT 1500 GPM
 WATER TANK: 480 U.S. GAL
 FOAM CELL: 20 U.S. GAL
 BODY MATERIAL: 1/8" ALUMINUM
 HOSE BED: N/A
 GENERATOR: N/A
 COMPARTMENTS: 272 CUBIC FEET



KINGS COUNTY FIRE DEPARTMENT
 HANFORD, CA
 MODEL: 105' REAR MOUNT AERIAL (S34RL-105)
 DEALERSHIP: FIRE APPARATUS SOLUTIONS
 SCALE: 1/2" = 1' DRAWN BY: KS DATE: 3/25/24
 SIZE: 24" X 36" DRAWING NO: S5560 REV: 00
 SHEET: 1 OF 1